

ZA675 **0%**
MERCURY

PR44
Hearing Aid Battery

Art.No. 100804

Technical Data Sheet

Specifications

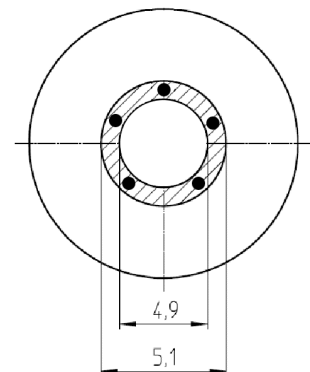
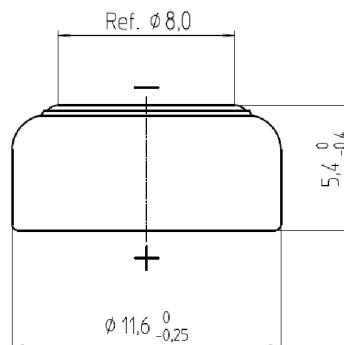
Chemical system	Zinc / Air
Nominal Voltage	1,45 V
Typical Capacity	600 mAh
Self Discharge	Less than 5% per year at 20°C with label applied
Weight	~1,8g
Operating condition	-10 - 50°C / 25-70% r.h.

These batteries need air when they are used Battery compartment must allow free access of air
Allow reasonable time between activation (after removable of tab) and commencement of electrical measurement

Dimensions

(according IEC 60086-2) (Ed.12 Feb. 2011)

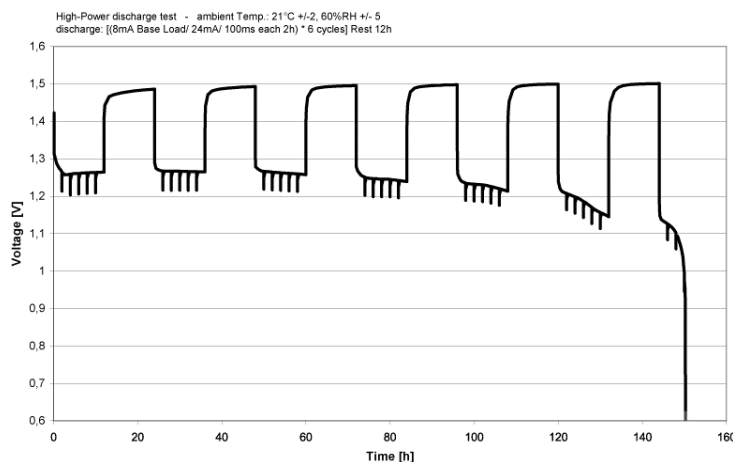
Diameter	11,6 mm (0,457")
Height	5,4 mm (0,213")



Air-intake holes placement

Discharge Curve

According IEC60086-2 (Ed.12 Feb. 2011)



Information and contents in this data sheet are for reference purpose only. They do not constitute any warranty or representation and are subject to change without notice. For most current information and further details, please contact your Renata representative.

Rev. ZA675 / Rev. 01 / Mai 2015