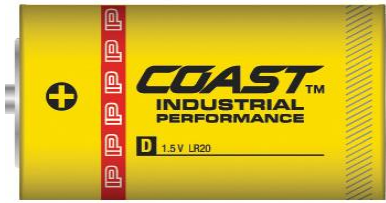
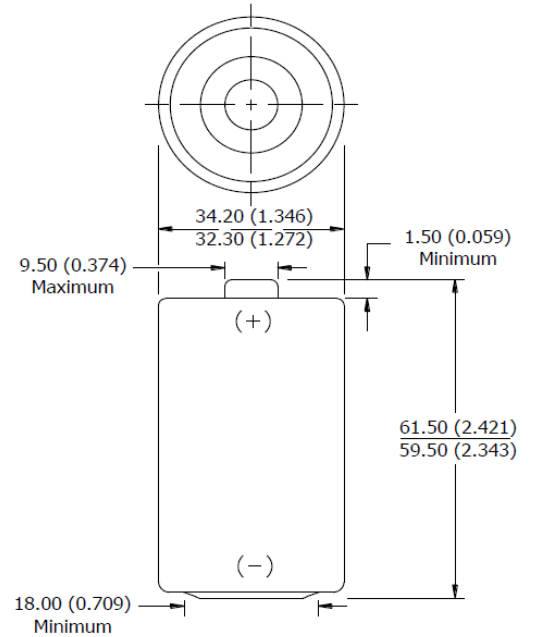


COAST LR20 D INDUSTRIAL PERFORMANCE Alkaline Battery



- Classification:** Alkaline
- Chemistry:** Zinc-Manganese Dioxide
No added mercury or cadmium
- Designation:** ANSI-13A, IEC-LR20
- Nominal Voltage:** 1.5 volts
- Typical Weight:** 140.0 gram (4.94 oz.)
- Typical Volume:** 54.48 cubic cm (3.325 cubic inch)
- Operating Temp:** -18°C~55°C (0°F~130°F)
- Jacket:** Plastic Label
- Terminal:** Flat Contact
- Shelf Life:** 5 years at 21°C

ANSI / IEC Standard Dimensions
mm (inches)



Typical Service Life – ANSI Application Tests

Application	Discharge Load	Duty Cycles	Service
Stereo	600mA	2h/d	16 hours
Radio	10 Ω	4h/d	128 hours
Lighting 1	1.5 Ω	4m/15m, 8h/d	14 hours
Toy	2.2 Ω	1h/d	24.5 hours
Lighting 2	2.2 Ω	4m/h, 8h/d	22.5 hours

Milliamp-Hours Capacity
Continuous discharge to 0.9 volts at 21°C

