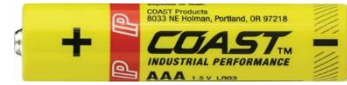
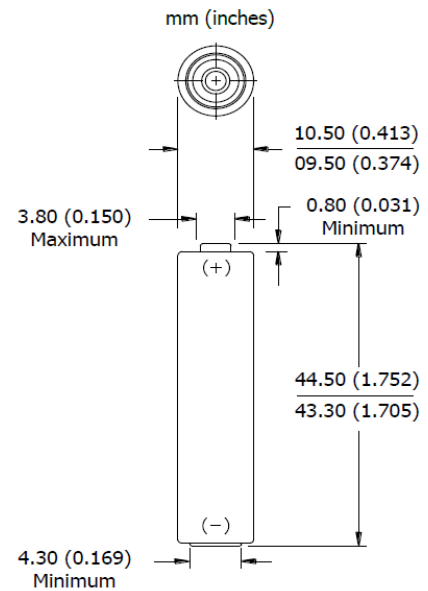


COAST LR03 AAA INDUSTRIAL PERFORMANCE Alkaline Battery



Classification: Alkaline
Chemistry: Zinc-Manganese Dioxide
 No added mercury or cadmium
Designation: ANSI-24A, IEC-LR03
Nominal Voltage: 1.5 volts
Typical Weight: 11.5 gram (0.406 oz.)
Typical Volume: 3.5 cubic cm (0.21 cubic inch)
Operating Temp: -18°C~55°C (0°F~130°F)
Jacket: Plastic Label
Terminal: Flat Contact
Shelf Life: 5 years at 21°C

ANSI / IEC Standard Dimensions



Typical Service Life – ANSI Application Tests

Application	Discharge Load	Duty Cycles	Service
Home Medical	250mA	5min/h, 12h/d	2.3 hours
Remote Control	24 Ω	15s/min, 8h/d	20.8 hours
Lighting	5.1 Ω	4m/h, 8h/d	4.05 hours
Toy	5.1 Ω	1h/d	4.4 hours
Digital Audio	50mA	1h/12h, 24h/d	22.8 hours

Milliamp-Hours Capacity

Continuous discharge to 0.9 volts at 21°C

