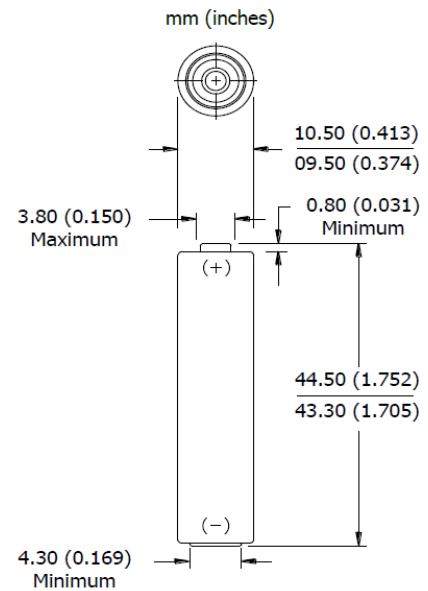


COAST LR03 AAA EXTREME PERFORMANCE Alkaline Battery



- Classification:** Alkaline
- Chemistry:** Zinc-Manganese Dioxide
No added mercury or cadmium
- Designation:** ANSI-24A, IEC-LR03
- Nominal Voltage:** 1.5 volts
- Typical Weight:** 12.0 gram (0.42 oz.)
- Typical Volume:** 3.5 cubic cm (0.21 cubic inch)
- Operating Temp:** -18°C~55°C (0°F~130°F)
- Jacket:** Plastic Label
- Terminal:** Flat Contact
- Shelf Life:** 5 years at 21°C

ANSI / IEC Standard Dimensions



Typical Service Life – ANSI Application Tests

Application	Discharge Load	Duty Cycles	Service
Home Medical	250mA	5min/h, 12h/d	2.4 hours
Remote Control	24 Ω	15s/min, 8h/d	22.2 hours
Lighting	5.1 Ω	4m/h, 8h/d	4.37 hours
Toy	5.1 Ω	1h/d	4.59 hours
Digital Audio	50mA	1h/12h, 24h/d	24.3 hours

Milliamp-Hours Capacity

Continuous discharge to 0.9 volts at 21°C

