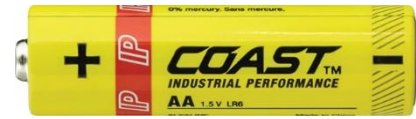
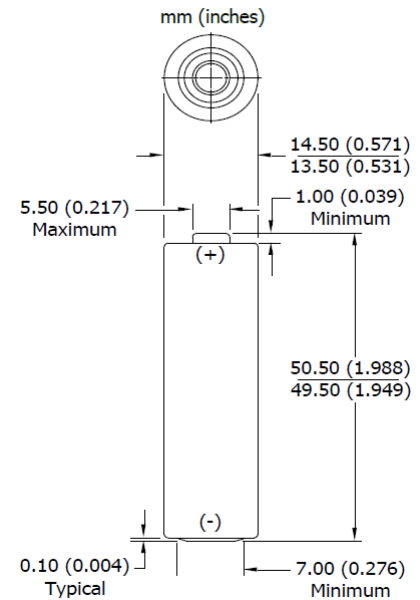


**COAST LR6 AA INDUSTRIAL PERFORMANCE Alkaline Battery**



- Classification:** Alkaline
- Chemistry:** Zinc-Manganese Dioxide  
No added mercury or cadmium
- Designation:** ANSI-15A, IEC-LR6
- Nominal Voltage:** 1.5 volts
- Typical Weight:** 23.0 gram (0.81 oz.)
- Typical Volume:** 7.7 cubic cm (0.47 cubic inch)
- Operating Temp:** -18°C~55°C (0°F~130°F)
- Jacket:** Plastic Label
- Terminal:** Flat Contact
- Shelf Life:** 5 years at 21°C

**ANSI / IEC Standard Dimensions**



**Typical Service Life – ANSI Application Tests**

Application	Discharge Load	Duty Cycles	Service
Digital Camera	1.5W/0.65 W	2s/28s, 5min/h	70 pulses
Remote/Radio/Clock	50mA	1h/8h, 8h/d	46.5 hours
Grooming	750mA	2m/h, 8h/d	0.7 hours
CD/E-games	250mA	1h/d	7.8 hours
Lighting	3.9 Ω	4m/h, 8h/d	6.67 hours
Toy	3.9 Ω	1h/d	7.5 hours
Digital Audio	100mA	1h/d	22.8 hours

**Milliamp-Hours Capacity**

Continuous discharge to 0.9 volts at 21°C

