

# DURACELL<sup>®</sup>

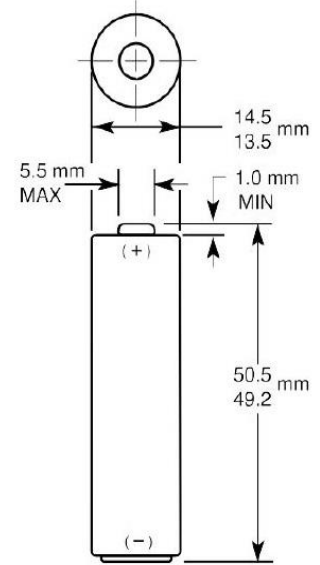
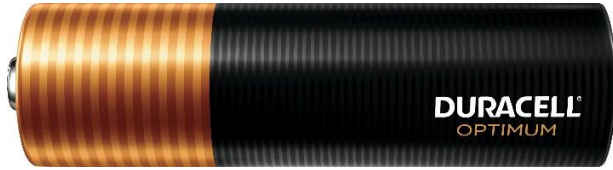
## OPTIMUM

# OP1500

## Size: AA (LR6)

Alkaline-Manganese Dioxide:OPT1 Battery

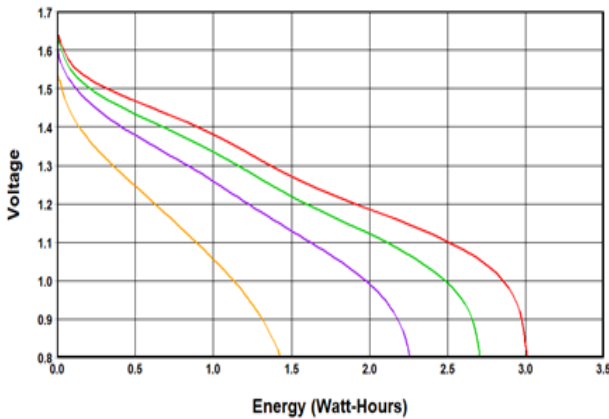
Zn/OPT1



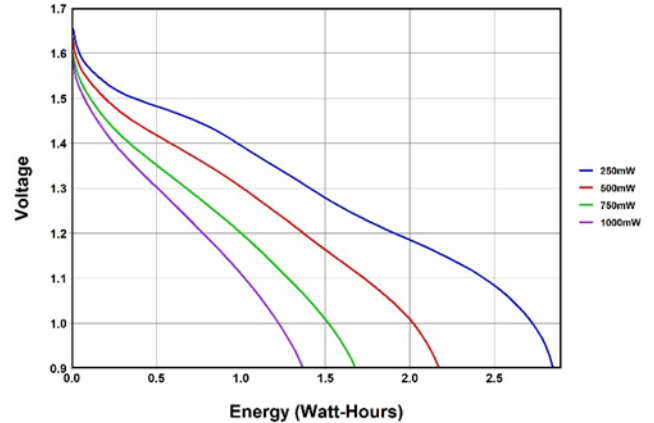
Dimensions shown are IEC standards

<b>Nominal voltage</b>	1.5 V
<b>Impedance</b>	75 m-ohm @ 1 kHz
<b>Typical weight</b>	24 g (0.8 oz)
<b>Typical volume</b>	8.4 cm <sup>3</sup> (0.5 in <sup>3</sup> )
<b>Terminals</b>	Flat
<b>Storage temperature range</b>	5°C to 30°C (41°F to 86°F)
<b>Operating temperature range</b>	-20°C to 54°C (-4°F to 130°F)
<b>Designation</b>	<b>ANSI: 15A IEC: LR6</b>

Optimum AA - Constant Current



Optimum AA - Constant Power



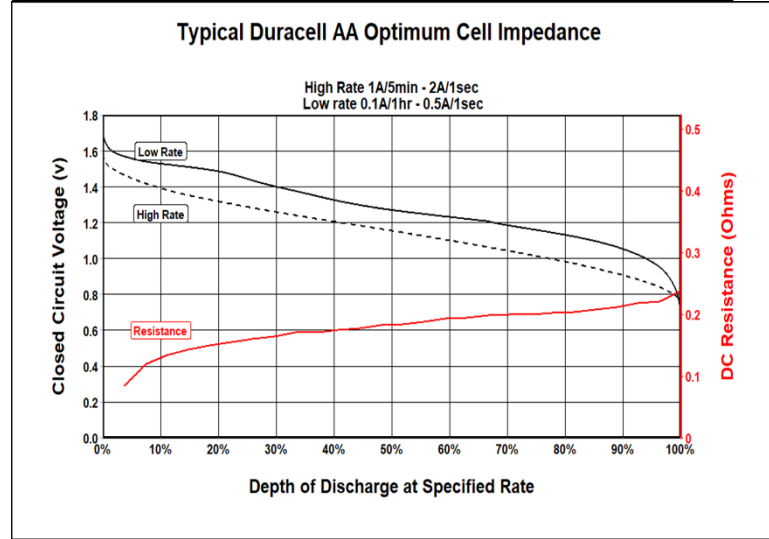
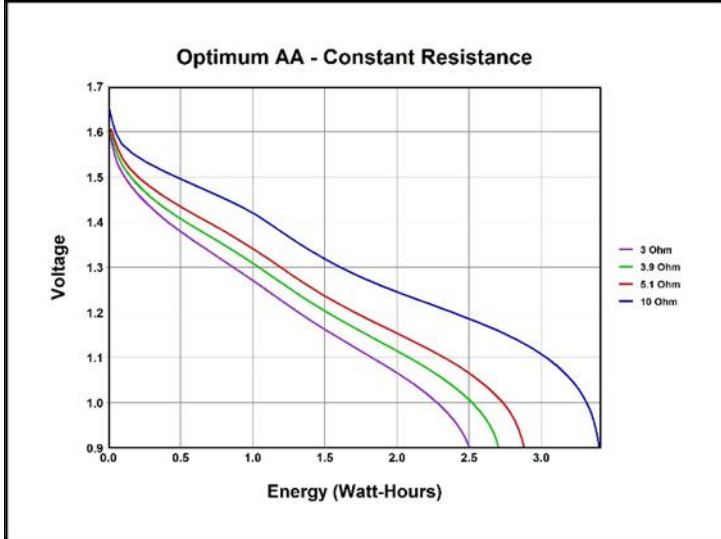
# DURACELL<sup>®</sup>

A Berkshire Hathaway Company  
 Berkshire Corporate Park  
 Bethel, CT. 06801 U.S.A.  
 Telephone: Toll-free 1-800-544-5454  
 www.duracell.com

Delivered capacity is dependent on the applied load, operating temperature and cut-off voltage. Please refer to the charts and discharge data shown for examples of the energy/service life that the battery will provide for various load conditions.

This data is subject to change. Performance information is typical. Contact Duracell for the latest information.

**OP15US0626**



# DURACELL®

A Berkshire Hathaway Company  
 Berkshire Corporate Park  
 Bethel, CT. 06801 U.S.A.  
 Telephone: Toll-free 1-800-544-5454  
[www.duracell.com](http://www.duracell.com)

Delivered capacity is dependent on the applied load, operating temperature and cut-off voltage. Please refer to the charts and discharge data shown for examples of the energy/service life that the battery will provide for various load conditions.