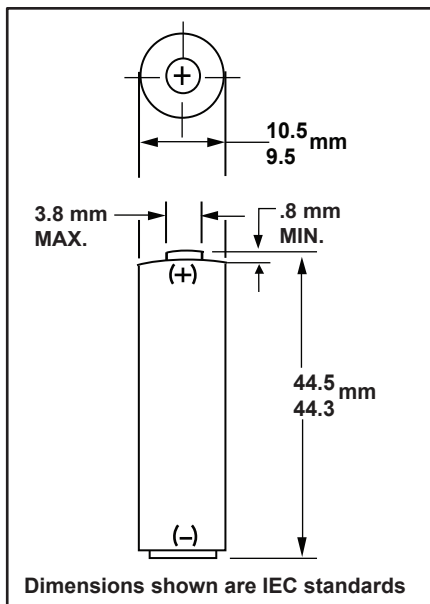




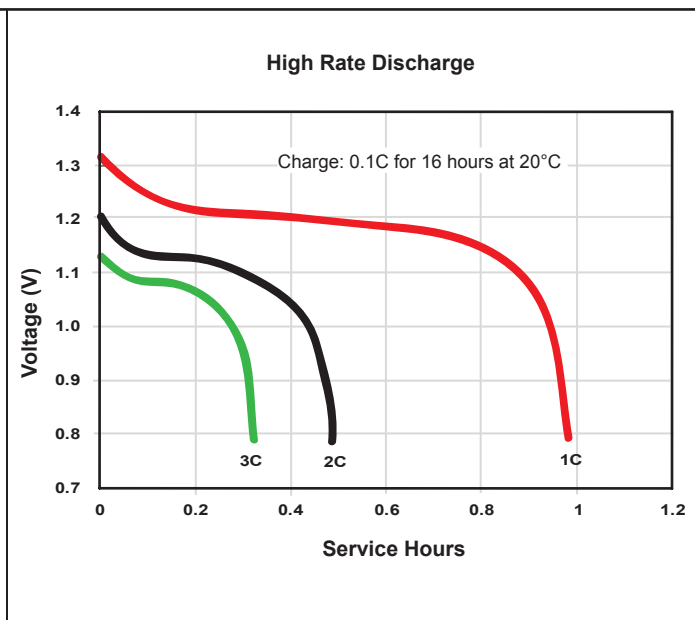
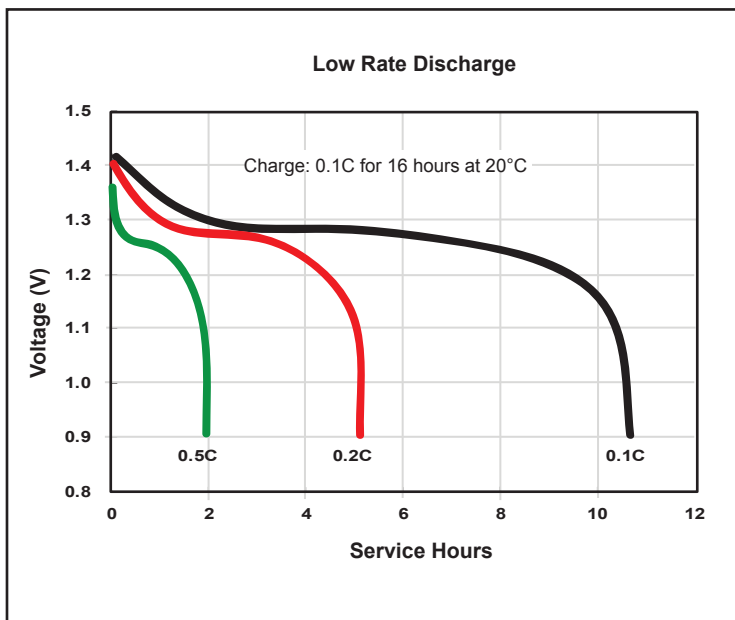
**DX2400**

Size: AAA **800 mAh** (HR3)  
Rechargeable NiMH Battery

**NiMH**



Specifications	
<b>Classification:</b>	Cylindrical Alkaline
<b>Chemical System:</b>	Nickel Metal Hydride (NiMH)
<b>Designation:</b>	ANSI-1.2H1, IEC-HR3
<b>Nominal Voltage:</b>	1.2V
<b>Operating Voltage:</b>	1.0V -1.35V
<b>Operating Temp:</b>	-10°C to 50°C (-14°F to 122°F)
<b>Storage Temp:</b>	5°C to 30°C
<b>Typical Weight:</b>	12.8 g
<b>Typical Volume:</b>	3.5 cubic centimeters (.214 cubic inch)
<b>Typical Impedance:</b>	30 milliohm @ 1kHz
<b>Rated Capacity:</b>	800 mAh
<b>Safety Features:</b>	Pressure release resettable vent



Information and contents in this data sheet are for reference purposes only. They do not constitute any warranty and representation is subject to change without notice. For most current information and further details, please contact Duracell.

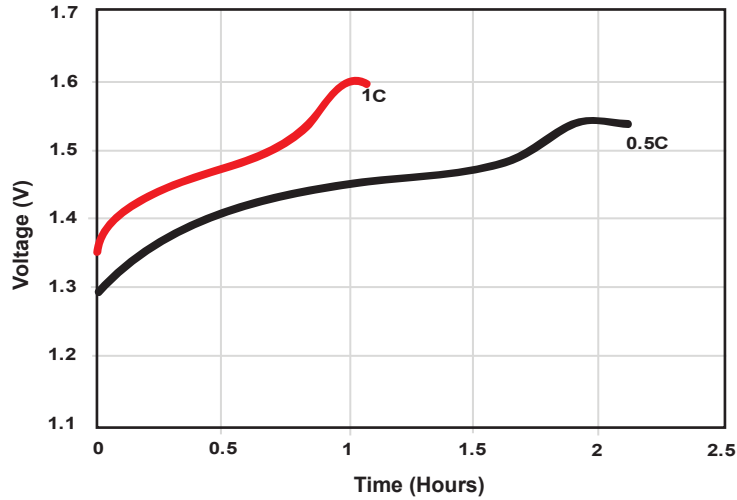


**DX2400**

Size: AAA **800 mAh** (HR3)  
Rechargeable NiMH Battery

**NiMH**

Fast Charge (Charge control required)



Product can be charged on most nickel metal hydride (NiMH) chargers utilizing standard dV, dV/dt, time and temperature dynamic charge termination methods. Duracell brand chargers are recommended for best results.

**DURACELL®**  
BATTERIES

Berkshire Corporate Park  
Bethel, CT 06801 U.S.A.  
Telephone: Toll free 1.800.544.5454  
Internet: [www.duracell.com](http://www.duracell.com)

**\*Delivered capacity is dependent on the applied load, intermittent usage, operating temperature and cut off voltage. Please refer to the charts for examples of energy/service life that the battery will provide for various conditions.**

Information and contents in this data sheet are for reference purposes only. They do not constitute any warranty and representation is subject to change without notice. For most current information and further details, please contact Duracell.