

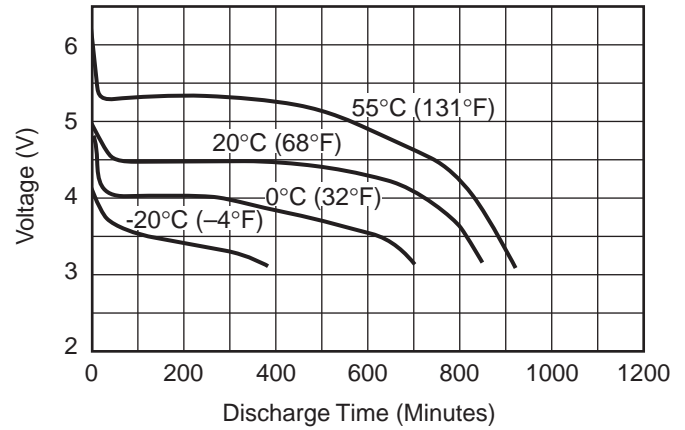
GP Batteries

Data Sheet

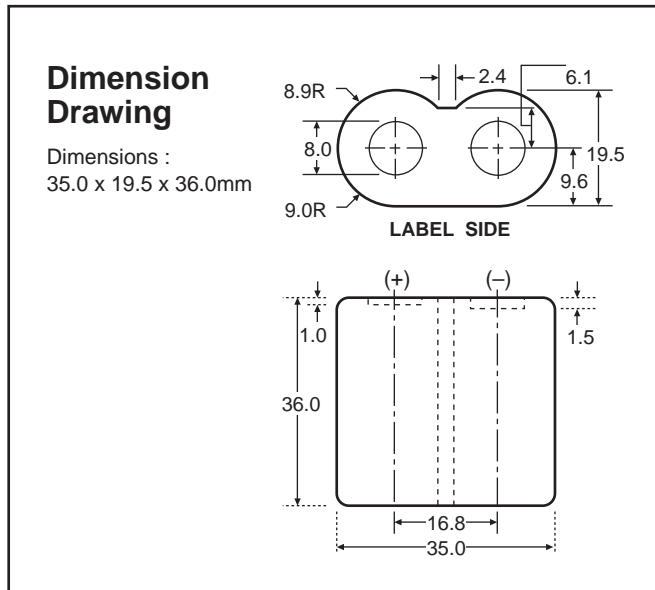
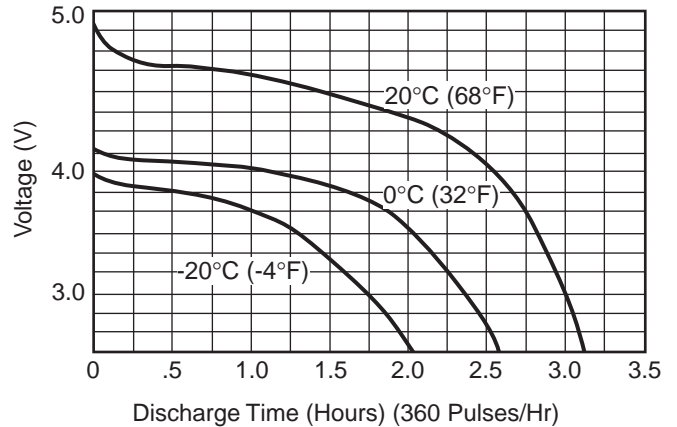
Model No.: CR-P2

Description : Lithium Battery
 Chemical system : Lithium Manganese Dioxide
 Nominal voltage : 6 Volts
 Nominal capacity : 1,300mAh
 Dimensions : 35.0 x 19.5 x 36.0mm
 Terminals : Flat, Connector
 Jacket : Plastic Case
 Shelf life : 5 years
 Average weight : App. 38 grams
 Application : Photo

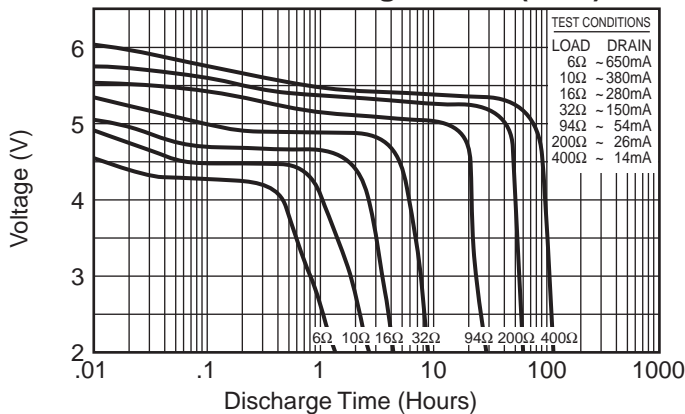
Discharge Characteristics 900mA, 3 seconds on / 27 seconds off



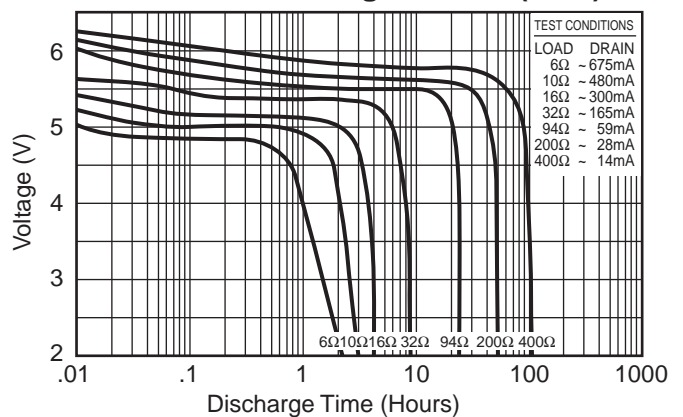
1.2A, 3 seconds on / 7 seconds off



Continuous discharge at 0°C (32°F)



Continuous discharge at 20°C (68°F)



Cross Reference:

IEC	Eveready	Duracell
CR-P2	EL223AP	DL223A

