

Product Information

2P/LPP503562 S PCM PC
EZPack XL ▶ VKB 56456 702 099



VARTA EasyPack
Rechargeable Li-Polymer
EZPack XL
56456 702 099 - 1ICP5/35/62-2
3.7V 2400mAh 8.9Wh

Do not: incinerate, disassemble, short terminals, expose to high temp. above 140°F (60°C), risk of fire, explosion

VARTA Microbattery GmbH
Assembled in Indonesia

MMYR
CE
RoHS

MM ▶ month two digits
Y ▶ year one digit
R ▶ week of month one digit

1. GENERAL

Battery with safety circuit and plastic housing

- Cell ▶ LPP 503562 S
- PCM ▶ Yes
- NTC ▶ 10 kΩ ±1%; B-Value 3435K ±1%
- ID ▶ 24 kΩ ±1%
- Configuration ▶ 2P
- Weight ▶ appr. 48g

2. ELECTRICAL SPECIFICATION

- Rated Capacity ▶ 2300mAh min., 2400mAh typical
- Nominal Voltage ▶ 3.7V
- Watt-Hour Rating ▶ 8.6Wh
- Charging Method ▶ Constant Current + Constant Voltage
- Max. Charge Voltage: ▶ 4.2V
- Max. Continuous Charge Current: ▶ 2300mA
- Rec. Charge Cut Off: ▶ by current 23mA or time 3.5h
- Max. Continuous Discharge Current: ▶ 3200mA (limited by PCM)
- Rec. Discharge Cut Off: ▶ 3V
- Internal Impedance: ▶ approx. 68mΩ
- Expected Cycle Life @ (1C/1C) @23 ±5°C ▶ >500 cycles >70% of initial cap.

CELL PROTECTION

- Overcharge Detection ▶ 4.3 ±0.02V (0.8 to 1.2sec. delay, release 4.1V ±0.03V)
- Overdischarge Detection: ▶ 2.40V ±0.035V (76.8 to 115.2msec. delay, release remove load & charging current)
- Overcurrent Detection ▶ 3.2A to 5.2A (9.6 to 14.4msec. delay)

3. AMBIENT CONDITIONS

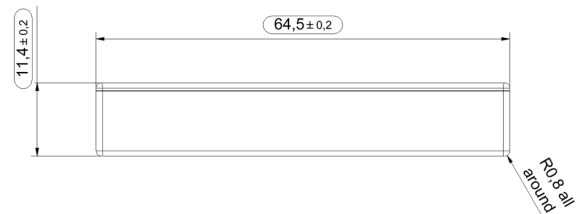
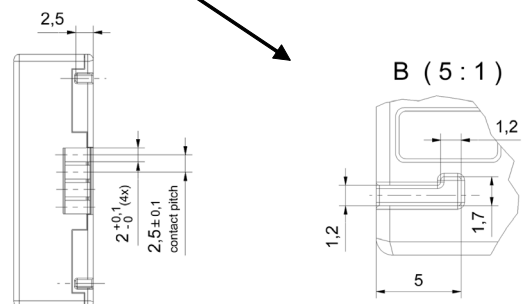
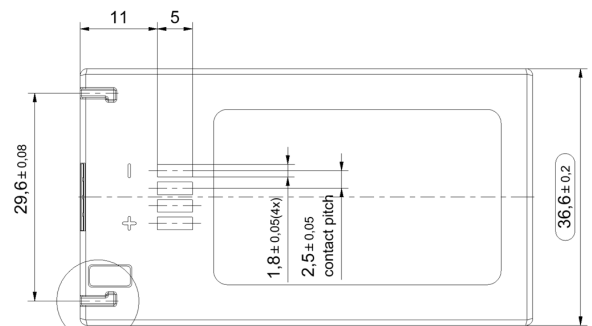
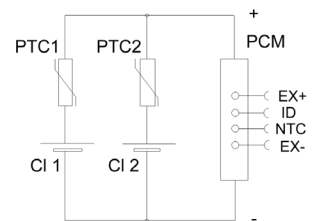
- Temperature Range
 - Charge ▶ 0 to +45°C
 - Discharge ▶ -20 to +60°C
 - Storage
 - ▶ Less than 1 month at at -20 to +60°C
 - ▶ Less than 3 months at -20°C to +45°C
 - ▶ Less than 1 year at -20°C to +30°C
- Humidity ▶ 65 ± 20%RH

4. ENVIRONMENTAL AND SAFETY

Please follow VARTA Handling and Safety Precautions for Lilon & LiPolymer.
The cell is approved according UL1642 and UN 38.3 certified.
This battery meets the requirements of Battery Directives and the battery parts are RoHS-Compliant.
This battery is UL recognized and is certified according to IEC 62133 edition 2 (pending).

Minimum Order Quantity: 300 pcs / Order Multiples: 100 pcs - Product for OEM customers only!

Protection Circuit Module



The Netherlands



Elektrostraat 17
NL-7483 PG Haaksbergen

T: +31 (0)53 573 33 33
F: +31 (0)53 573 33 30
E: nl@texim-europe.com

Belgium



Zuiderlaan 14 bus 10
B-1731 Zellik

T: +32 (0)2 462 01 00
F: +32 (0)2 462 01 25
E: belgium@texim-europe.com

UK & Ireland



St. Mary's House, Church Lane
Carlton Le Moorland
Lincoln LN5 9HS

T: +44 (0)1522 789 555
F: +44 (0)845 299 22 26
E: uk@texim-europe.com

Germany North



Bahnhofstrasse 92
D-25451 Quickborn

T: +49 (0)4106 627 07-0
F: +49 (0)4106 627 07-20
E: germany@texim-europe.com

Germany South



Martin-Kollar-Strasse 9
D-81829 München

T: +49 (0)89 436 086-0
F: +49 (0)89 436 086-19
E: germany@texim-europe.com

Austria



Warwitzstrasse 9
A-5020 Salzburg

T: +43 (0)662 216 026
F: +43 (0)662 216 026-66
E: austria@texim-europe.com

Nordic region



Sdr. Jagtvej 12
DK-2970 Hørsholm

T: +45 88 20 26 30
F: +45 88 20 26 39
E: nordic@texim-europe.com

General information



info@texim-europe.com
www.texim-europe.com